



Growing number of rail facilities illuminated with AAA-LUX LED

Reducing cost while improving economic growth

A growing number of national rail operators all over Europe run smooth and efficient operations by selecting AAA-LUX LED technology to illuminate their facilities and marshalling yards. In doing so, they also reduce costs and improve productivity.

maintenance. As maintenance activities require a complete shutdown of the facility, in accordance to health and safety instructions, a reduced need for maintenance will also increase productivity.

The Dutch national rail transportation board became in 2013 the first to accept AAA-LUX LED technology. "Safety and economic reliance aspects were essential elements in the selection of the illumination solution," the consultant said when he explained why AAA-LUX had been the preferred choice. The operators of the rail infrastructure in both the Czech Republic and

Stringent tests

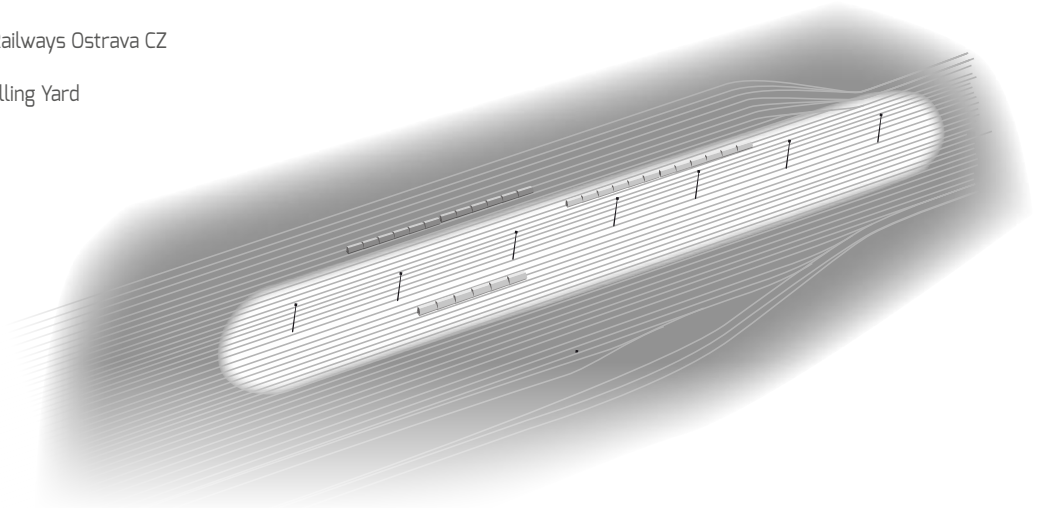
trade between Russia and Western Europe growing at rapid speed the increase of freight by rail through both countries is increasing annually. "Being able to operate the facilities as much and as often as possible has a huge impact on the profitability of the railway network hence durability and reliability of the AAA-LUX LED technology was a prerogative for the operators to approve the technology."

Installation details

Light plan

Czech Railways Ostrava CZ

Marshalling Yard



Led Luminaires used



14 x **AL 180**

Illumination level:
20 lux, 0.4

More information:
<http://www.aaa-lux-lighting.com/products/al-serie-luminaires/>



LCMS

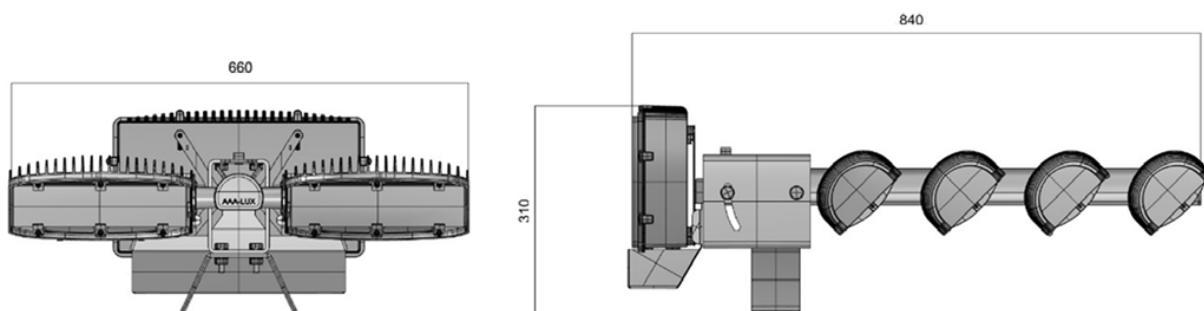
Next phase

AAA-LUX
project partner





Typ WS pro sportoviště



SPECIFIKACE	WS MODELÝ			
	Typ WS	Typ WS-STAD	Typ WS (4 modulů)	Typ WS (6 modulů)
Příklad @ 100% (W)	1550	1550	775	1160
Náběhový proud		žádný		
Teplota chromatičnosti (K)		5200		
Index podání barvy světla (CRI)		80		
Střední doba života (hodiny, prům.stmívání)		60000		
Max. světelná účinnost (lm/W)		159.9		
Hmotnost, včetně zdroje (kg)	22	22	16	19
Rozměry (Š x V x D v mm)	660 x 310 x 840		660 x 310 x 540	660 x 310 x 690
Krytí (IP)	66			

InControl

Použití bezdrátového řízení umožňuje spolehlivou komunikaci mezi ovládacími prvky a svítidly bez nutnosti použití kabeláže. Instalace je snadná a nenákladná.

Control Box



Základní vlastnosti:

- Výběr scény
- 6 oblastí
- Spínání napájení
- Rozhraní pro více uživatelů
- Senzor připojení
- Sledování stavu systému
- Sledování spotřeby energie
- Vzdálený přístup

Samostatný Switch Box



Základní vlastnosti:

- Výběr scény
- 1 oblast