

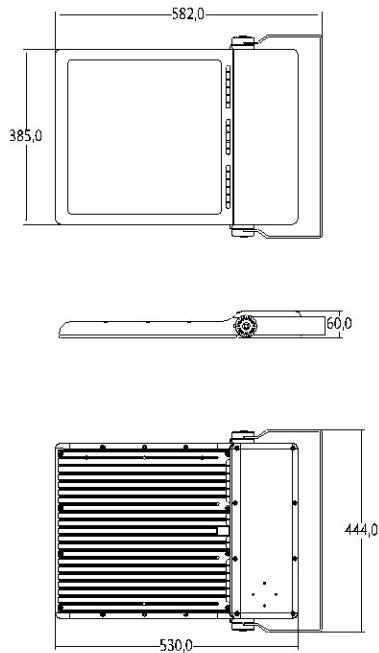
IP 66 - class I - IK 08 - 100-277Vac ± 10% - 50/60Hz - Ta 45°C



Garanzia: 5 anni
 Corpo: alluminio pressofuso
 Diffusore in vetro temperato extrachiaro 4mm
 Dissipatore: alluminio pressofuso integrato nel corpo
 Life time: > 100.000h L80B20 @ ta 25°C
 > 73.000h L90B10 @ ta 25°C
 Led: Osram - Ra > 70
 Rischio fotobiologico: classe RG 0
 Colore: nero RAL 9017
 Driver: programmabile (corrente, mezzanotte virtuale, CLO)
 protezione alle sovratensioni impulsive 10/6kV CM/DM
 dimmerazione su richiesta: 0-10V, DALI
 classe II : su richiesta

Warranty: 5 years
 Body: die cast aluminum
 Diffuser: extra clear temperate glass 4 mm
 Heat sink: die aluminum integrated in the body
 Life time: >100.000h L80B20 @ Ta 25°C
 > 73.000h L90B10 @ Ta 25°C

Led: Osram - Ra > 70
 Photo biological risk: class RG 0
 Color: black RAL 9017
 Driver: programmable (current, virtual midnight, CLO)
 surge protection level: 10/6kV CM/DM
 Dimming on request: 0-10V, DALI
 Class II: on demand



3000K CRI 70

Description	W	Output Lumen	Lm/W	Weight (Kg)	Ta (°C)
SQUARE L 270-96-30-xx	270	34015	126	11,30	45
SQUARE L 300-96-30-xx	300	37160	124	11,30	45
SQUARE L 320-144-30-xx	320	42000	131	11,30	45
SQUARE L 360-144-30-xx	360	46200	128	11,50	40
SQUARE L 400-144-30-xx	400	50390	126	11,50	35

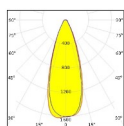
4000K CRI 70

Description	W	Output lumen	Lm/W	Weight (Kg)	Ta (°C)
SQUARE L 270-96-40-xx	270	35695	132	11,30	45
SQUARE L 300-96-40-xx	300	38990	130	11,30	45
SQUARE L 320-144-40-xx	320	44075	138	11,30	45
SQUARE L 360-144-40-xx	360	48480	135	11,50	40
SQUARE L 400-144-40-xx	400	52880	132	11,50	35

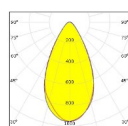
5700K CRI 70

Description	W	Output lumen	Lm/W	Weight (Kg)	Ta (°C)
SQUARE L 270-96-57-xx	270	35695	132	11,30	45
SQUARE L 300-96-40-xx	300	38990	130	11,30	45
SQUARE L 320-144-57-xx	320	44075	138	11,30	45
SQUARE L 360-144-57-xx	360	48480	135	11,50	40
SQUARE L 400-144-57-xx	400	52880	132	11,50	35

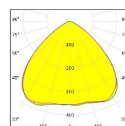
Tutti i dati sono riferiti a 25°C - tolleranza elettrica: ±5% - tolleranza flusso : ± 8%
 All data are referred to 25°C - electrical tolerance ±5% - flux tolerance : ± 8%



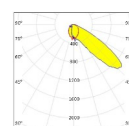
38



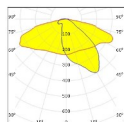
55



90



AS



ME

Altre fotometrie disponibili su richiesta
 Others photometries available on demand